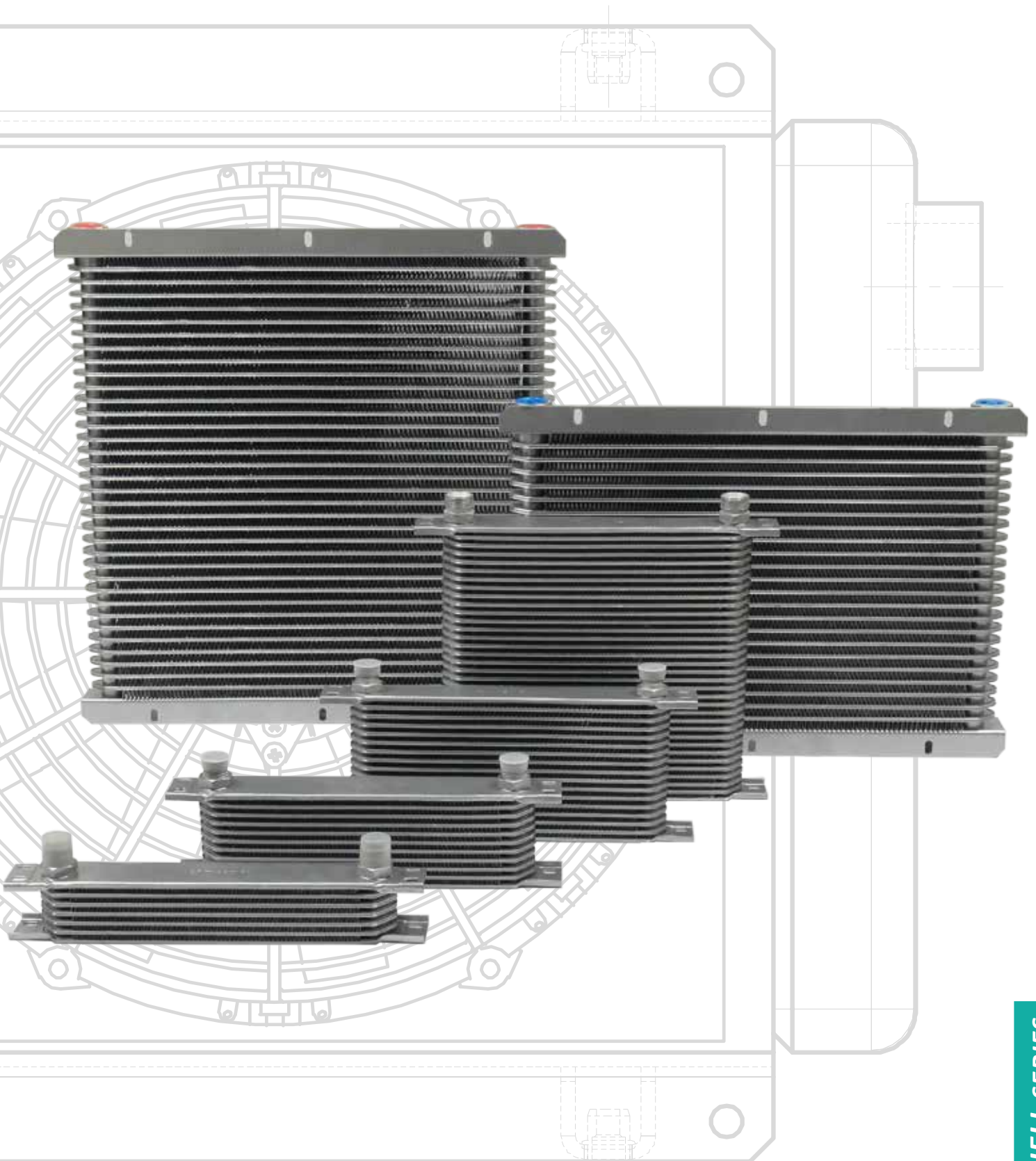


COOLERS

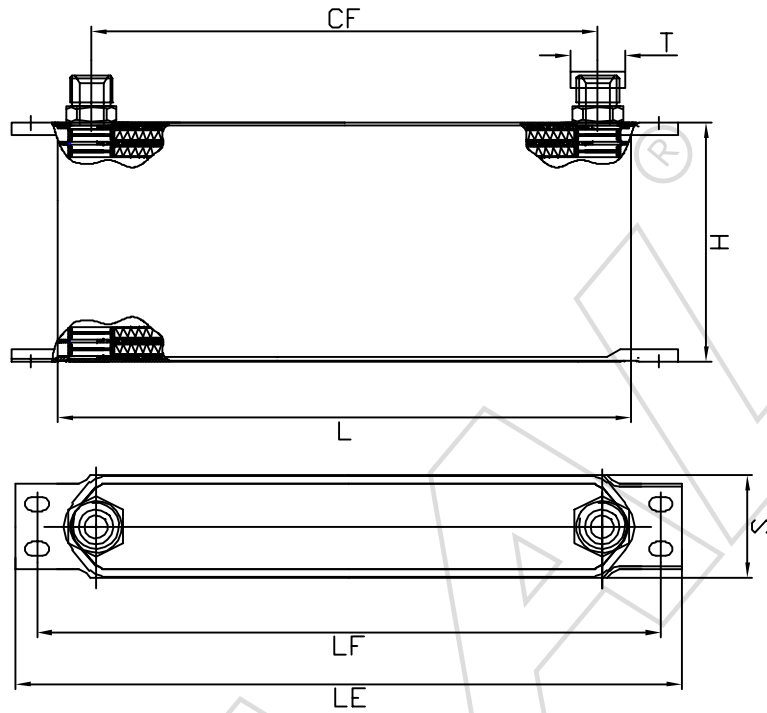
RAAL[®]
complete cooling solutions

SHELL SERIES

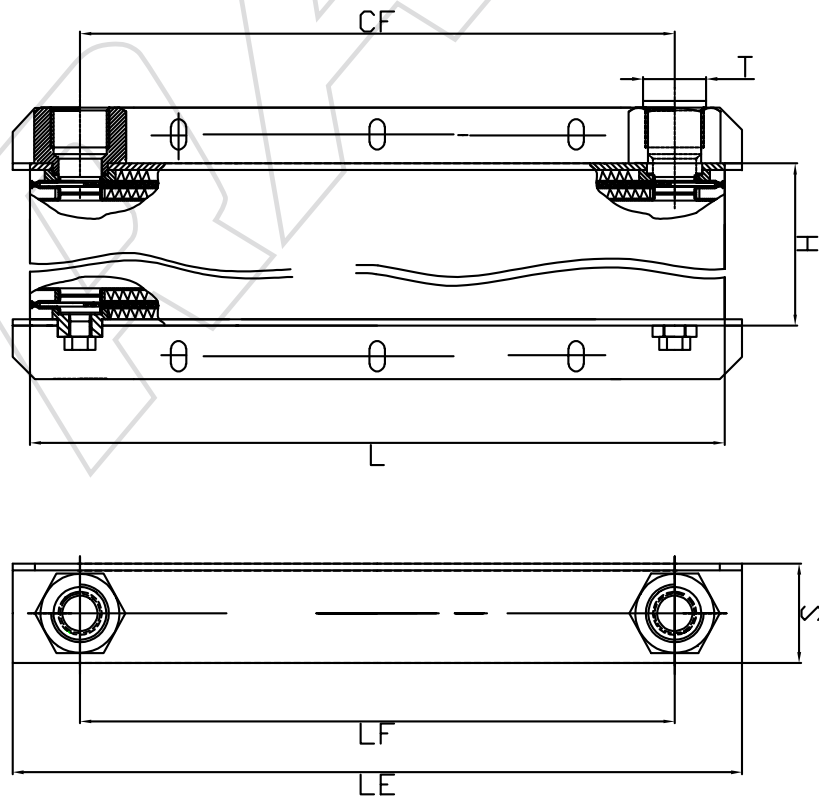


SHELL SERIES

RAAL[®]



A



B

SHELL SERIES

Codice Prodotto	Piatti	Interasse	H	L	LF	LE	S	T Raccordo	dm ³
SRU133630000	7	A 250	52	283	308	329	51	½ GAS M.	0,75
SRU117760000	11	A 250	82	283	308	329	51	½ GAS M.	1,18
SRU057460000	13	A 250	98	283	308	329	51	½ GAS M.	1,36
SRU232280000	13	A 250	99	283	308	329	51	3/8 GAS M.	1,43
SRU057470000	16	A 250	125	283	308	329	51	½ GAS M.	1,80
SRU117770000	17	A 250	129	283	308	329	51	½ GAS M.	1,86
SRU057480000	19	A 250	144	283	308	329	51	½ GAS M.	2,08
SRU080760000	19	A 250	146	283	308	329	51	M22X1,5 F.	2,74
SRU117780000	20	A 250	152	283	308	329	51	½ GAS M.	2,19
SRU170890000	21	A 250	220	283	308	329	51	½ GAS M.	3,18
SRU066100000	25	A 250	190	283	308	329	51	½ GAS M.	2,74
SRU117790000	27	A 250	200	283	308	329	51	½ GAS M.	2,89
SRU057500000	34	A 250	265	283	308	329	51	¾ GAS M.	3,82
SRU072510000	8	A275	59	308	333	354	51	M22X1,5 M.	0,93
SRU072520000	11	A275	83	308	333	354	51	M22X1,5 M.	1,30
SRU072530000	13	A275	96	308	333	354	51	M22X1,5 M.	1,51
SRU072540000	16	A275	123	308	333	354	51	M30X1,5 M.	1,93
SRU072550000	19	A275	148	308	333	354	51	M30X1,5 M.	2,32
SRU072560000	25	A275	194	308	333	354	51	M30X1,5 M.	3,05
SRU072570000	31	A275	241	308	333	354	51	M30X1,5 M.	3,79
SRU0149740000	25	A300	194	333	358	379	51	½ GAS M.	3,29
SRU184830000	11	A350	122	383	408	429	51	½ GAS M.	2,38
SRU072580000	22	B439	300	484	—	484	45	¾ GAS F.	6,53
SRU072590000	34	B439	460	484	—	484	45	¾ GAS F.	10,02

DATI TECNICI

